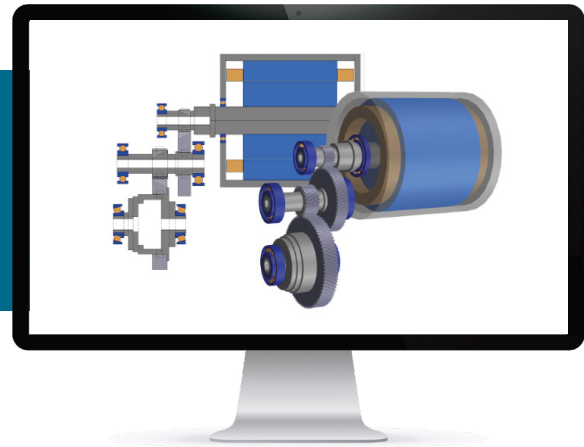


# Romax Concept

Rapid and intuitive early design tool for confident exploration of drivetrain ideas



Engineering decisions at the concept stage are critical to the success of the final product. Spreadsheets, hand calculations, legacy codes and rules of thumb are too slow and error prone. CAD is not well suited for communicating complex kinematic systems, and designing unsuccessful candidates is a waste.

Innovation and high product quality and performance require the right design tools right from the start: Romax Concept allows the full design space to be explored, to ensure you can make good engineering decisions quickly and confidently.

## Benefits

- Fast and efficient product design from the concept phase in a user-friendly model creation environment
- Flexible tool which integrates with CAD, MBD and CAE to reduce errors and time to market
- Empowering software enables informed engineering decisions early in the product development process

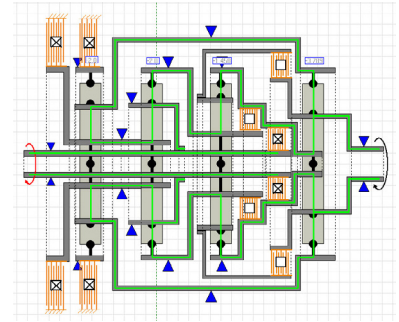
**“ Concept software is the starting point of the whole product [development]... It helps decrease development time and helps in minimising design failure. Through a smaller development cycle we can make products more robust at an earlier stage – using Romax enables us to overcome limitations we might face, as well as meeting Right First Time design requirements.”**

Hyundai WIA

## Romax Concept: A rapid drivetrain design tool that enhances your early development process

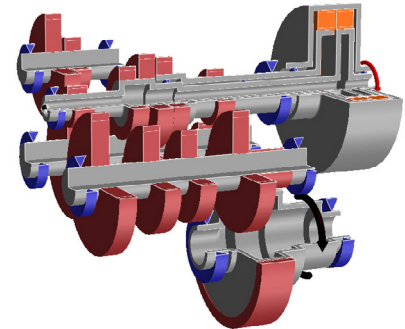
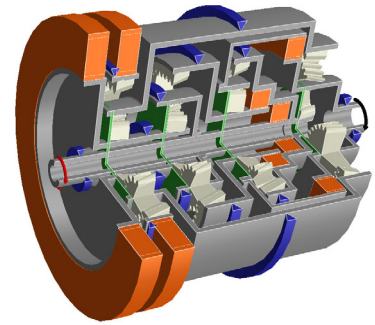
2D and 3D design and sizing is seamlessly combined with CAE simulation in an intuitive user interface to help designers explore innovative solutions and make confident engineering decisions at the early stages of product development.

Designs can be easily taken from Romax Concept and converted into CAD models and drawings, optimised multibody dynamic models and used in any other Romax product for more detailed analysis.



### Key Features

- Build multiple drivetrain layouts with ease thanks to an intuitive drag-and-drop interface.
- Identify promising design candidates by:
  - Analysing the performance of each concept and managing trade-offs between durability, efficiency, NVH, packaging, weight, cost, etc.
  - Performing vehicle performance and efficiency predictions of electric and conventional powertrain designs.
- Refine your design by selecting bearings directly from supplier catalogues and optimise gear ratios and macro-geometry.
- Integrate Romax Concept into your workflows with CAD import and export, automatic generation of multibody models and export to other Romax products.



Hexagon is a global leader in sensor, software and autonomous solutions. We are putting data to work to boost efficiency, productivity, and quality across industrial, manufacturing, infrastructure, safety, and mobility applications.

Our technologies are shaping urban and production ecosystems to become increasingly connected and autonomous – ensuring a scalable, sustainable future.

Romax, part of Hexagon's Manufacturing Intelligence division, provides world-leading solutions for the design, analysis, testing and manufacture of gearboxes, drivetrains and bearings. Learn more at [romaxtech.com](https://romaxtech.com). Hexagon's Manufacturing Intelligence division provides solutions that utilise data from design and engineering, production and metrology to make manufacturing smarter.

Learn more about Hexagon (Nasdaq Stockholm: HEXA B) at [hexagon.com](https://hexagon.com) and follow us [@HexagonAB](https://twitter.com/HexagonAB).